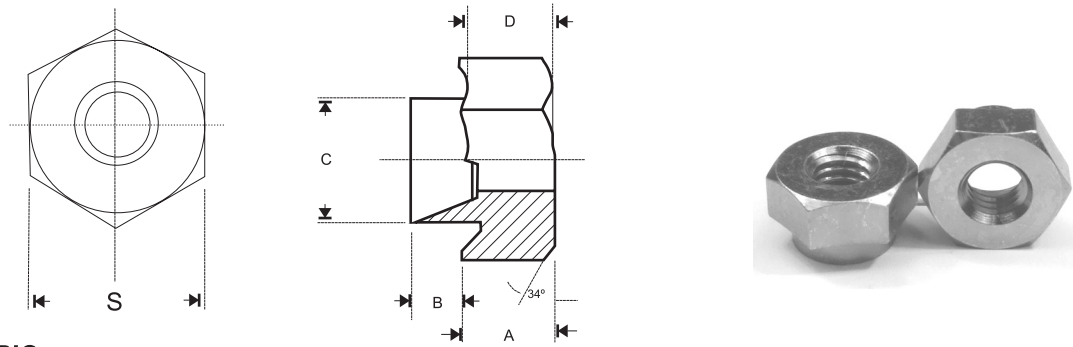
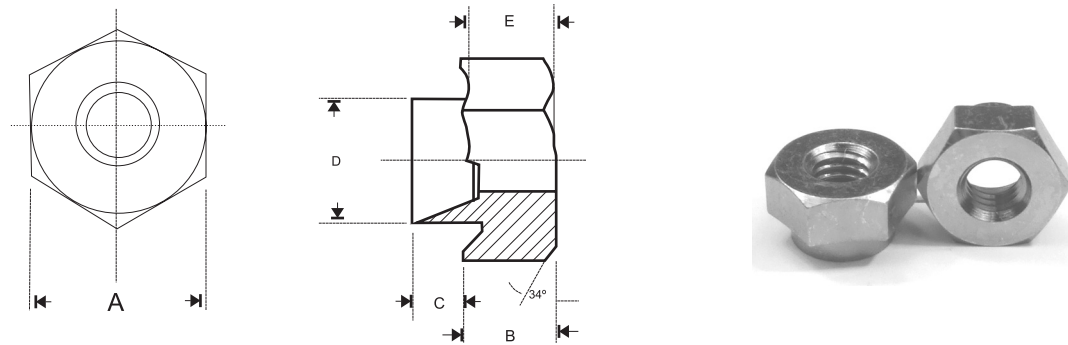


PLAIN ROOT NUTS



METRIC

PART NUMBER	SIZE	PITCH	S		A		B		C		D	PANEL			PANEL RANGE
			MAX	MIN	MAX	MIN	MAX	MIN	MAX	MIN		REF	MAX	MIN	
CFZ-RNM3S	M3	.5	7.0	6.85	2.4	2.1	2.0	1.8	5.0	4.90	2.4	5.08	5.0	1.6	16
CFZ-RNM4S	M4	.7	8.0	7.85	3.2	2.9	2.2	2.0	6.0	5.90	3.2	6.08	6.0	1.6	16
CFZ-RNM5S	M5	.8	10.0	9.78	4.0	3.7	2.4	2.2	8.0	7.87	4.0	8.09	8.0	1.6	16
CFZ-RNM6S	M6	1.0	13.0	12.73	5.0	4.7	2.8	2.6	10.0	9.87	5.0	10.09	10.0	2.0	14
CFZ-RNM8S	M8	1.25	17.0	16.73	6.5	6.1	3.4	3.2	12.0	11.84	6.5	12.11	12.0	2.0	14
CFZ-RNM10S	M10	1.5	18.0	27.67	8.0	7.6	4.0	3.8	14.0	14.84	8.0	14.11	14.0	2.5	12
CFZ-RNM12S	M12	1.75	24.0	23.48	10.0	9.6	4.4	4.2	18.0	17.84	10.0	18.11	18.0	2.5	12



STANDARD

PART NUMBER	SIZE	PANEL		A -.008	B	C -.010	D -.005	E REF
		HOLE +.005	THICKNESS MAX.					
CFZ-RN3050	6 BA	7/32	1.6mm	.282	.105-.120	.080	.216	.140
CFZ-RN3051	4-40UNC							
CFZ-RN3052	1/6-40 BSW							
CFZ-RN3053	5/32-32 BSW	17/64	1.6mm	.324	.130-.150	.085	.263	
CFZ-RN3054	6/32 UNC							
CFZ-RN3055	4BA							
CFZ-RN3056	6/32 UNC	9/32	1.6mm	.344	.130-.145	.090	.278	
CFZ-RN3057	2 BA	5/16		.413	.142-.157	.095	.309	
CFZ-RN3058	3/16-24 BSW							
CFZ-RN3059	10-32 UNF							
CFZ-RN3061	1/4-20 UNC	3/8	2.0mm	.525	.185-.200	.110	.372	
CFZ-RN3062	1/4-24 UNF							
CFZ-RN3063	1/4-20 BSW							
CFZ-RN3064	5/16-18 UNC	1/2	2.0mm	.710	.222-.237	.135	.497	
CFZ-RN3065	5/16-24 UNF							
CFZ-RN3066	5/16-18 BSW							
CFZ-RN3067	3/8-16 UNC	5/8	2.5mm	.820	.357-.372	.160	.622	
CFZ-RN3068	3/8-24 UNF							
CFZ-RN3069	3/8-16 BSW							

FOR NON-STANDARD PARTS, PLEASE CONTACT SALES OFFICE